

EMERY STONE MILL ESM 700-800

EMERY STONE MILL FSM 700-800

The base of the system consists of special emery moulded two stones which lays on each other. The stone underneath is connected to the main axle and is forced with the engine.

The substrate stone is fixed. The product is spread between two stones in the entry and the folding and bran peeling is done. So that the distance between stones can be regulated, special products can be gained. Through the entry with the capacity refining bolts the necessary rates of peeling is possible. The engine strap connections and the revolving stone system are covered and so secure

There are two types of Stone Mills

Vertical Stone Mill

Horizontal Stone Mill

Horizontal Stone Mill

EMERY STONE MILL STANDARD MODEL 600, 700, 800 MM

Our Emery Stone Mill models are available with artificial millstones in the sizes 600, 700 and 800 mm and are suitable for grinding e.g. grains, peas, coffee, spices and other dry products.

Supplied with the famous Akyurek millstones the Emery Stone Mill models guarantee a fine grind and a high output. Mill Stones

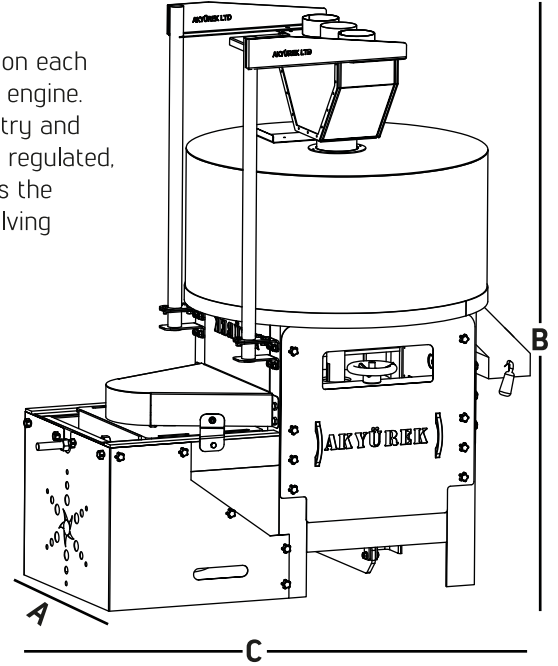
The millstone is the most essential part of a mill. The quality of the millstone is decisive both for the grinding capacity of the mill and the quality of the ground. Today's special design of the Akyurek artificial millstones is a result of practical experience gained during more than 40 years of production. The stones are produced in sizes from 250 mm to 1515 mm, and composed of particularly high quality stone materials, rarely found outside Turkey. There are many imitations, but only one original, Look for the AKYUREK seal of quality, cast in the rear side of the stone. That is your guarantee for the original millstone.

Emery Stone Mill Work Principle

The base of the system consists of special emery molded two stones which lays on each other. The stone underneath is connected to the main axle and is forced with the engine. The substrate stone is fixed. The product is spread between two stones in the entry and the folding and bran peeling is done. So that the distance between stones can be regulated, special products can be gained. Through the entry with the capacity refining bolts the necessary rates of peeling is possible. The engine strap connections and the revolving stone system are covered and secure.

Emery Stone Mills are universal grinding machine which can be used in many applications with right type of Stones.

- Wheat grinding for flour production with 260 to 600 micron output.
- Barley grinding for flour production.
- Peas grinding for flour production.
- Coffee grinding
- Spices grinding
- Wheat Grinding for Bulgur Production.
- Lentil Splitting process
- Yellow Pea Splitting
- Fava Bean Hulling and Splitting



MODEL	DIMENSIONS			MOTOR kW	CAPACITY t/h	WEIGHT	TRANSPORT AREA m ²
	A	B	C				
ESM 700	1020	1790	1340	5.5	~ 1	620	3
ESM 800	1070	1790	1400	7.5	~1.3	705	3/3



Akyürek Makine A.Ş.

Karaduvar Mahallesi 65117 Sokak
No:37 Mersin / TÜRKİYE

Telefon: +90 324 237 47 48 - +90 324 234 47 59
+90 324 237 37 14 - +90 324 237 47 10

Faks: +90 324 234 47 07

E-Posta: info@akyurekltd.com

Web: www.akyurekltd.com



Akyürek Makine A.Ş.

Karaduvar Avenue 65117 Street
No:37 Mersin / TÜRKİYE

Phone: +90 324 237 47 48 - +90 324 234 47 59
+90 324 237 37 14 - +90 324 237 47 10

Fax: +90 324 234 47 07

E-Mail: info@akyurekltd.com

Web: www.akyurekltd.com



+90 444 6 259

www.akyurekltd.com

Akyürek Kardesler San.Tic.Ltd.Sti. Have all the copyrights of the information and pictures provided in this catalogue. We have all rights to do necessary adjustments on the product & these changes may not reflect on the catalogue at the moment of production. We will do our utmost to inform you all the changes if and when.